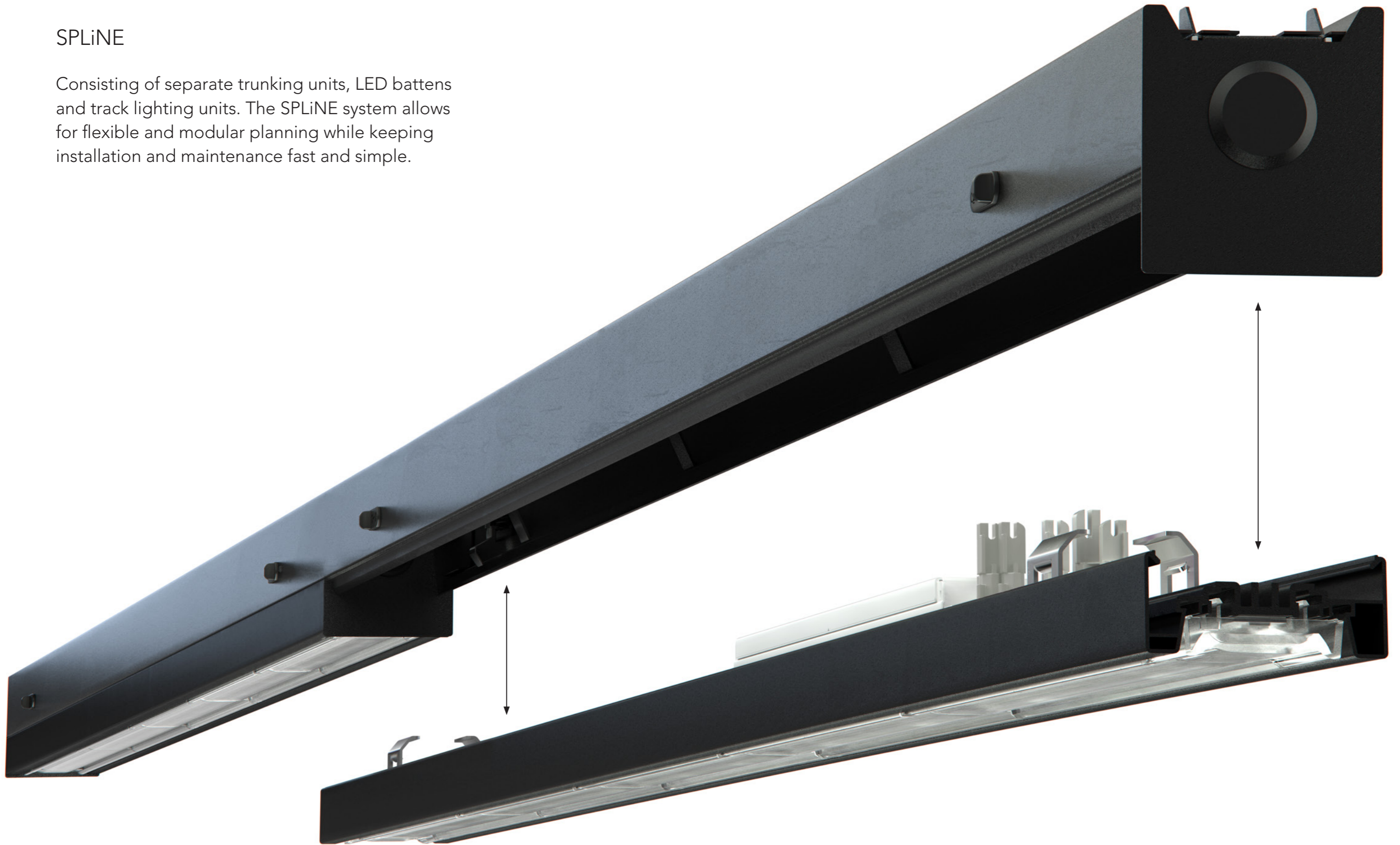




SPLiNE SPLiNE is a complete lighting system for all kinds of applications. Developed from the ground up with installation, flexibility and efficiency in mind.

SPLiNE

Consisting of separate trunking units, LED batten and track lighting units. The SPLiNE system allows for flexible and modular planning while keeping installation and maintenance fast and simple.



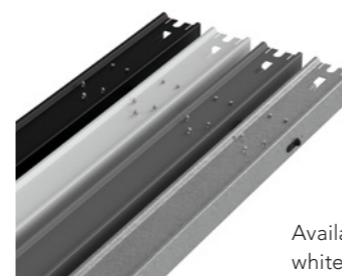


SPLiNE can be installed both as a continuous or discontinuous row and as a single fixture. Different sizes of the trunking unit makes it possible to do a fast and cost effective installation and also suit different sizes of buildings.

With different types of battens, depending on lighting needs and installation height, you can add even more flexibility. A three phase track batten gives access to Nordic Light's complete range of accent lighting - for discontinued installations a cover batten is available.



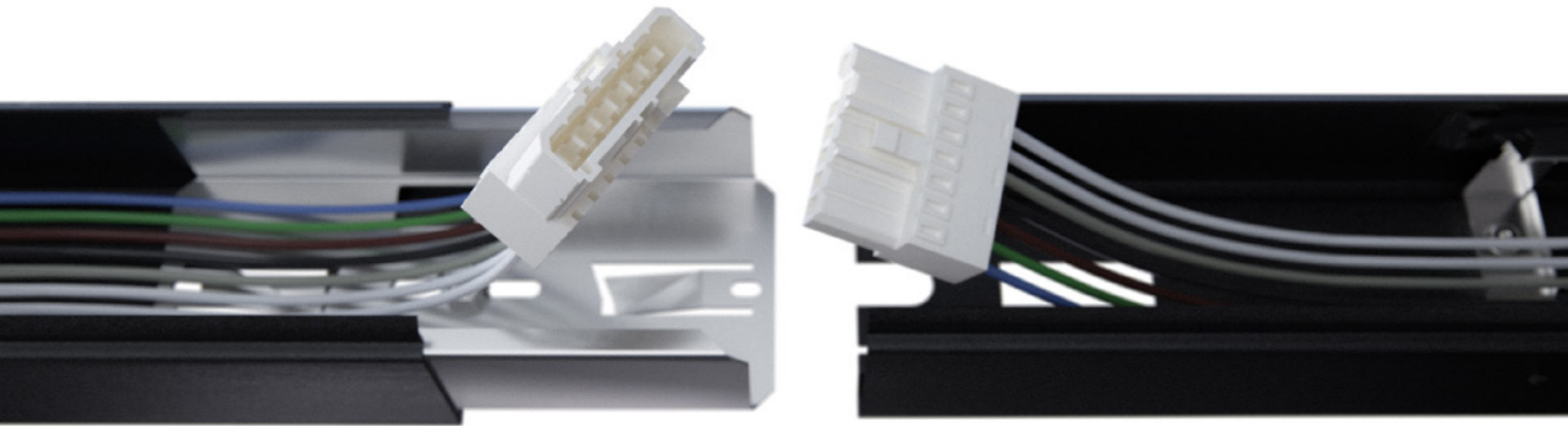
Easy mount.



Available in colours black, white, grey and galvanized.

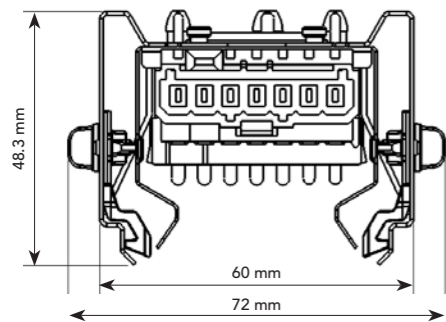
Trunking units

Trunking units are available in lengths of 860 mm, 1500 mm and 3000 mm. Units are easily assembled without tools.

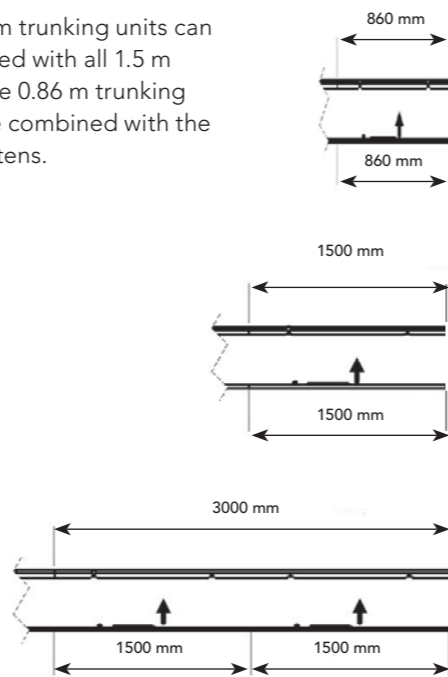


Connectors are used to fast and easy connect the trunking units to each other.

Trunking units are pushed into a trunking joint and securely locked. The trunking joint and end cap is also used to mount the system in the ceiling.



3 m or 1.5 m trunking units can be combined with all 1.5 m battens, the 0.86 m trunking unit can be combined with the 0.86 m battens.



A batten is easily installed into the trunking without any tools. Use the lock button to secure the installation. Red colour indicates unlocked batten.



The mains power cable is wired into the male terminal block in the trunking unit.

Art no	Description	Poles	Weight
309-201-001-xx*	Trunking Unit 1500 mm	7	1.8 kg
309-201-002-xx*	Trunking Unit 3000 mm	7	3.7 kg
309-201-004-xx*	Trunking Unit 860 mm	7	1.1 kg

5, 9 & 11 pole versions of trunking units available by request.



LED battens

LED battens are designed around a lightweight frame of extruded aluminum with driver and connection system on the top side. On the bottom side there are top performing mid-power LED chips mounted on MCPCB's for optimal thermal management. High purity PC lenses to ensure colour stability over time and minimum optical loss.

Trunking accessories

Trunking joint and End cap is used as mounting points for Spline, this means that there is a mounting point at the end of each Trunking unit.

These parts also include a locking system that holds the Trunking unit together.

Art no	Description
309-303-001	Trunking joint
309-288-001-xx*	End cap



Trunking joint



End cap

*Add color code to Art no
 - 10 White - 30 Grey
 - 20 Black - 00 Galvanized

Suspension accessories

The Spline system can be mounted to a ceiling or to a cable channel without any additional parts.

Wire kit are available to suspend the Spline system. For false inner ceiling, a clip is used to secure the system.

Art no	Description
047-286	Suspension kit 6000 mm
309-284-001	Ceiling clip



Suspension kit



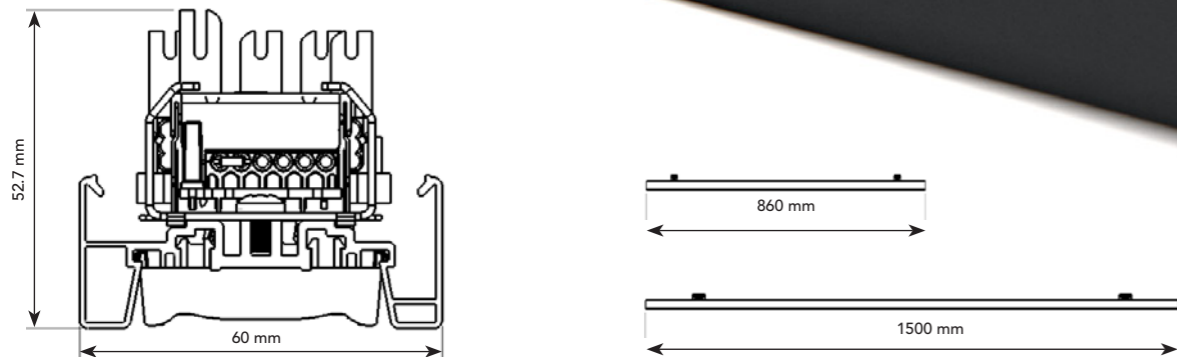
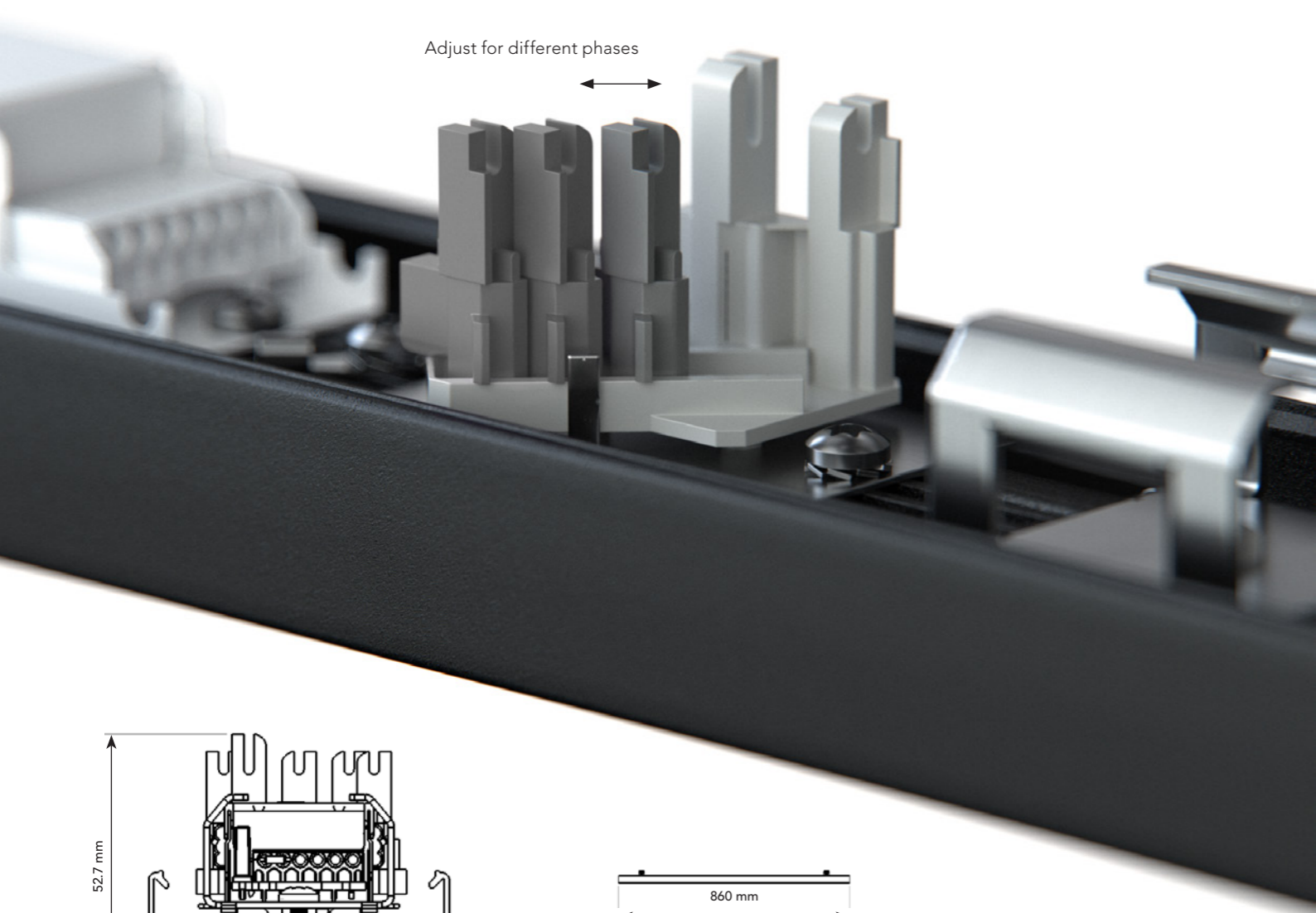
Ceiling clip



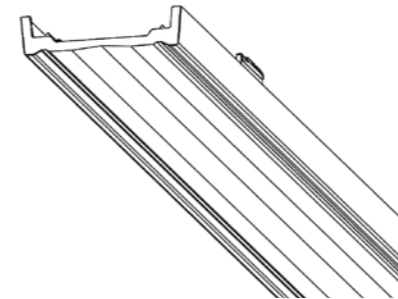
LED battens are available in three different types:

- Pro and Pro X version which offers high efficiency and high lumen output options.
- The Standard, offers lower initial investment cost.

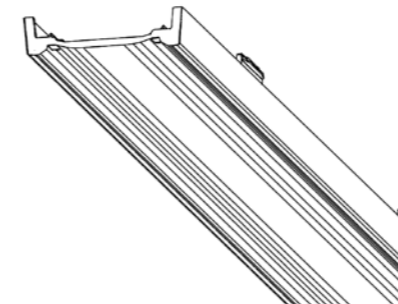
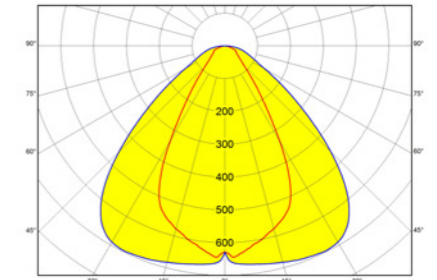
Optionally the LED battens can be fitted with DALI dimmable drivers to enable lighting controls.



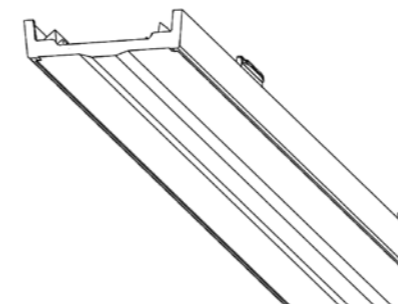
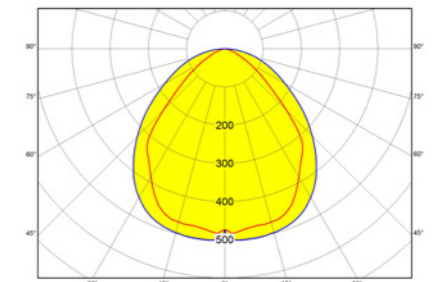
Optics



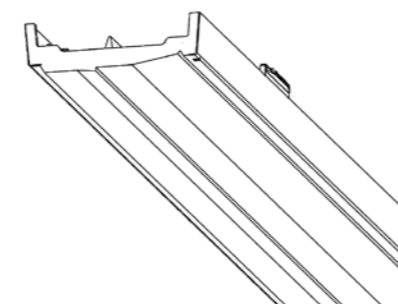
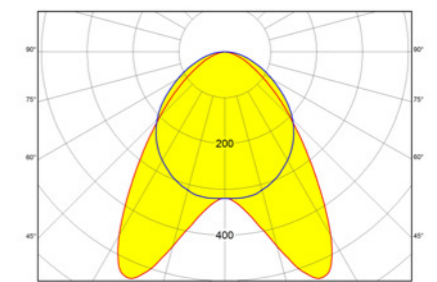
Medium Can be used for mid height or creating a more dynamic atmosphere.



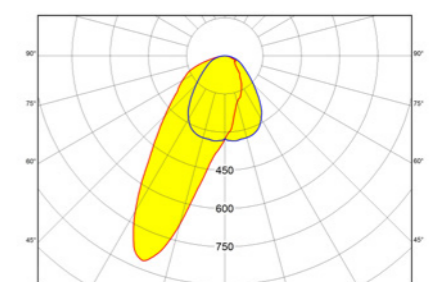
Flood Suitable for illuminating larger open spaces.



Double asymmetric Perfect for illuminating shelving in spaces with lower ceilings – no light and energy gets wasted illuminating the aisle floors and glare is minimal.

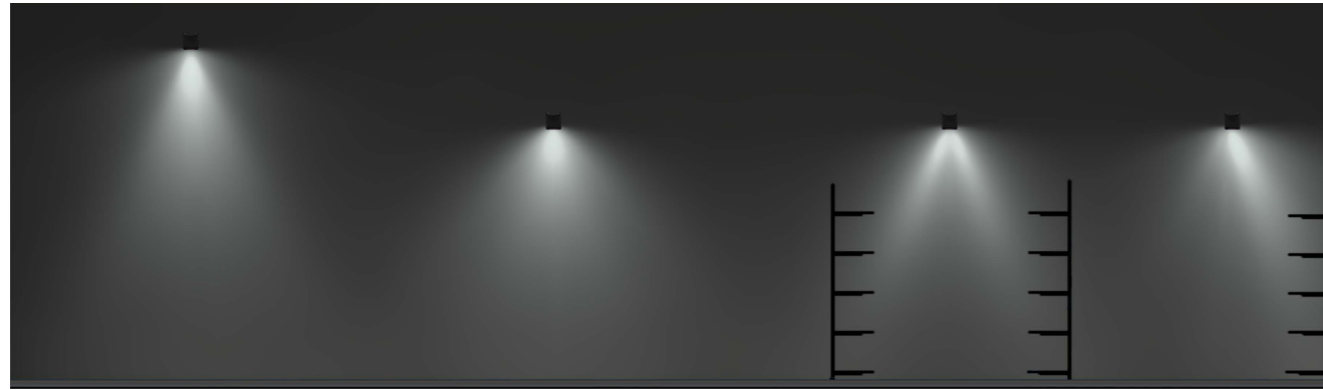


Single asymmetric When you only desire lighting on one side. Optics available in left and right hand versions.



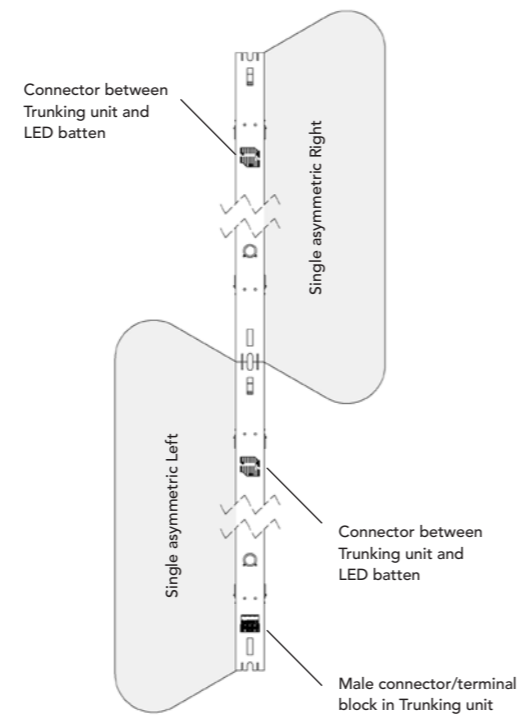
Optics

Example installations of the different optics.



Medium and Flood for general lighting. Medium for higher installation height and narrower space. Double asymmetric to light up two rows of shelves and Single asymmetric to light up one shelf.

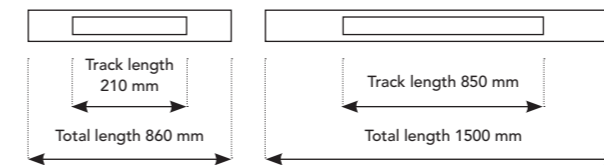
The direction of Single asymmetric right/left version depends of the orientation of the Trunking unit. When looking at the Spline system from the male connector in the Trunking unit, Singel asymmetric right lights up your right side and Single asymmetric left lights up your left side.



Trunking unit with Single asymmetric LED batten seen from above.

Track batten

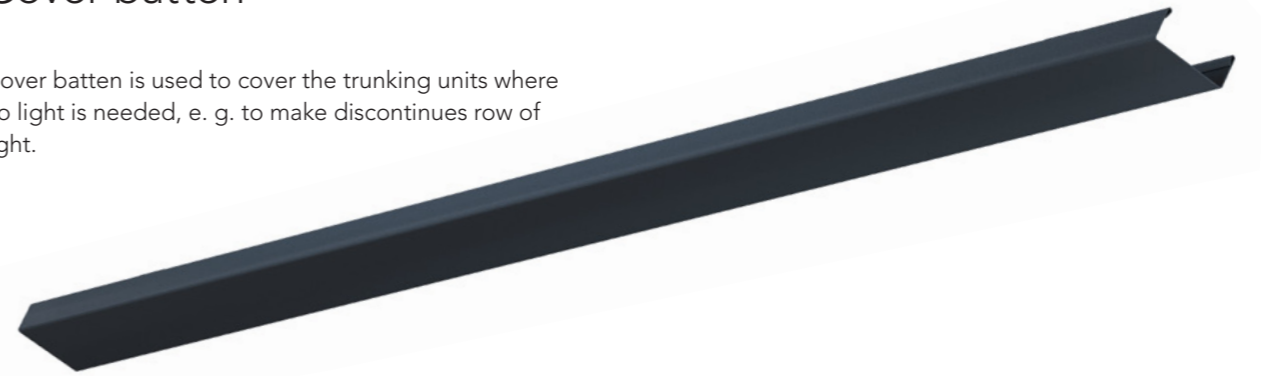
Track batten is a 3-phase track for Spline where all of Nordic Lights accent lighting can be mounted.



Art no	Description	Weight
309-208-001-xx*	Track batten 1500 mm	2.4 kg
309-208-011-xx*	Track batten 860 mm	1.3 kg

Cover batten

Cover batten is used to cover the trunking units where no light is needed, e. g. to make discontinues row of light.



Art no	Description	Weight
309-287-002-xx*	Cover batten 1500 mm	1.6 kg
309-287-012-xx*	Cover batten 860 mm	0.9 kg

*Add color code to Art no
 - 10 White - 30 Grey
 - 20 Black - 00 Galvanized

Emergency batten

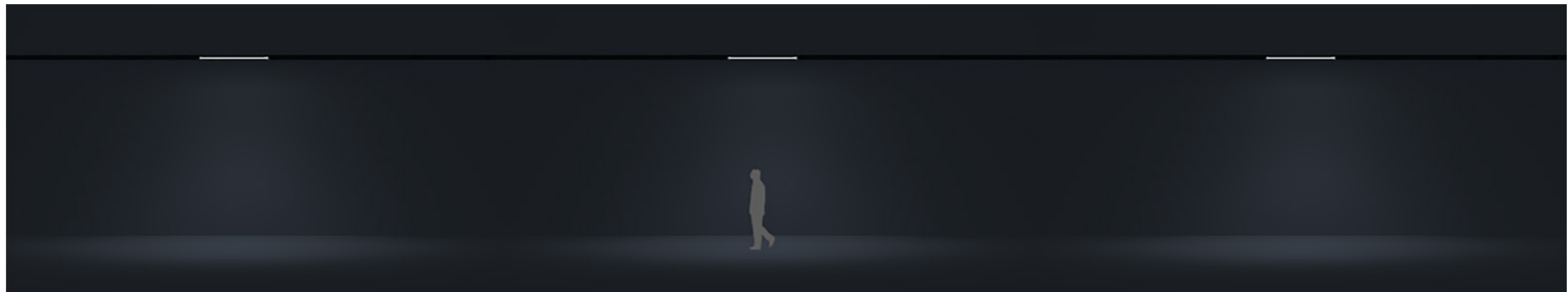
Emergency batten is a LED batten with integrated emergency light control and battery. In normal condition it works like an ordinary LED batten but when power supply fails it will immediately switch over to battery supply, there is versions for 1h and 3h emergency light. A button on the outside of the profile is used for testing and there is also a status indicator. Emergency batten DALI version can be controlled and monitored with DALI interface. Spline system with emergency light need to be built with Trunking units with at least 9 wires.



Installation height	Emergency batten Medium		Emergency batten Flood	
	c-c	a*	c-c	a*
3 m	12 m	6	12 m	6
4 m	13.5 m	8	13.5 m	8
5 m	15 m	9	15 m	9
6 m	16.5 m	10	16.5 m	10
7 m	18 m	11	16.5 m	10
8 m	19.5 m	12	18 m	11
9 m	19.5 m	12	18 m	11
10 m	21 m	13	18 m	11

Distance between Emergency battens in a row will give a minimum of 1 lux in the central floor axis under the Spline system.

a* = Number of 1.5 m battens between each Emergency batten.



Visible example of how to light up emergency routes in buildings. The distance of Emergency LED battens is depending on mounting height and beams spread used in the Spline system, and local country demands.

SPLiNE LED batten **ProX**

		Art no	Description	System W	Fixture Lumen	System efficacy ¹	EEI ¹	Weight kg	
Group 10 000 (6670 Lm/m)	830 Ra 80, 3000K 1500 mm	309-207-002-xx	LED batten ProX 830 Medium	76 W	9600 Lm	126 Lm/W	A++	1.9 kg	
		309-207-003-xx	LED batten ProX 830 Flood						
		309-207-004-xx	LED batten ProX 830 Double asymmetric						
		309-207-005-xx	LED batten ProX 830 Single asymmetric Left	38 W	4700 Lm	124 Lm/W	A++		
		309-207-006-xx	LED batten ProX 830 Single asymmetric Right						
		309-217-002-xx	LED batten ProX 830 Medium						
	840 Ra 80, 4000K 860 mm	309-217-003-xx	LED batten ProX 830 Flood	42 W	5400 Lm	130 Lm/W	A++	1.1 kg	
		309-217-004-xx	LED batten ProX 830 Double asymmetric						
		309-207-012-xx	LED batten ProX 840 Medium	76 W	10150 Lm	133 Lm/W	A++		
		309-207-013-xx	LED batten ProX 840 Flood						
		309-207-014-xx	LED batten ProX 840 Double asymmetric						
		1500 mm	309-207-015-xx	LED batten ProX 840 Single asymmetric Left	38 W	5000 Lm	131 Lm/W		A++
			309-207-016-xx	LED batten ProX 840 Single asymmetric Right					
			309-217-012-xx	LED batten ProX 840 Medium					
309-217-013-xx	LED batten ProX 840 Flood								
309-217-014-xx	LED batten ProX 840 Double asymmetric								

Group 12 000 (8000 Lm/m)	830 Ra 80, 3000K 1500 mm	309-207-102-xx	LED batten ProX 830 Medium	94 W	11350 Lm	121 Lm/W	A++	1.9 kg	
		309-207-103-xx	LED batten ProX 830 Flood						
		309-207-104-xx	LED batten ProX 830 Double asymmetric						
		309-207-105-xx	LED batten ProX 830 Single asymmetric Left	46 W	5700 Lm	123 Lm/W	A++		
		309-207-106-xx	LED batten ProX 830 Single asymmetric Right						
		309-217-102-xx	LED batten ProX 830 Medium						
	860 mm	309-217-103-xx	LED batten ProX 830 Flood	52 W	6550 Lm	126 Lm/W	A++	1.1 kg	
		309-217-104-xx	LED batten ProX 830 Double asymmetric						
		309-207-112-xx	LED batten ProX 840 Medium	94 W	11950 Lm	128 Lm/W	A++		
		309-207-113-xx	LED batten ProX 840 Flood						
		309-207-114-xx	LED batten ProX 840 Double asymmetric						
		1500 mm	309-207-115-xx	LED batten ProX 840 Single asymmetric Left	46 W	6000 Lm	130 Lm/W		A++
			309-207-116-xx	LED batten ProX 840 Single asymmetric Right					
			309-217-112-xx	LED batten ProX 840 Medium					
309-217-113-xx	LED batten ProX 840 Flood								
309-217-114-xx	LED batten ProX 840 Double asymmetric								

SPLiNE LED batten **ProX DALI**

		Art no	Description	System W	Fixture Lumen	System efficacy ¹	EEI ¹	Weight kg	
Group 10 000 (6670 Lm/m)	830 Ra 80, 3000K 1500 mm	309-204-002-xx	LED batten ProX DALI 830 Medium	76 W	9600 Lm	126 Lm/W	A++	1.9 kg	
		309-204-003-xx	LED batten ProX DALI 830 Flood						
		309-204-004-xx	LED batten ProX DALI 830 Double asymmetric						
		309-204-005-xx	LED batten ProX DALI 830 Single asymmetric Left	38 W	4700 Lm	124 Lm/W	A++		
		309-204-006-xx	LED batten ProX DALI 830 Single asymmetric Right						
		309-214-002-xx	LED batten ProX DALI 830 Medium						
	840 Ra 80, 4000K 860 mm	309-214-003-xx	LED batten ProX DALI 830 Flood	42 W	5400 Lm	130 Lm/W	A++	1.1 kg	
		309-214-004-xx	LED batten ProX DALI 830 Double asymmetric						
		309-204-012-xx	LED batten ProX DALI 840 Medium	76 W	10150 Lm	133 Lm/W	A++		
		309-204-013-xx	LED batten ProX DALI 840 Flood						
		309-204-014-xx	LED batten ProX DALI 840 Double asymmetric						
		1500 mm	309-204-015-xx	LED batten ProX DALI 840 Single asymmetric Left	38 W	5000 Lm	131 Lm/W		A++
			309-204-016-xx	LED batten ProX DALI 840 Single asymmetric Right					
			309-214-012-xx	LED batten ProX DALI 840 Medium					
309-214-013-xx	LED batten ProX DALI 840 Flood								
309-214-014-xx	LED batten ProX DALI 840 Double asymmetric								

Group 12 000 (8000 Lm/m)	830 Ra 80, 3000K 1500 mm	309-204-102-xx	LED batten ProX DALI 830 Medium	94 W	11350 Lm	121 Lm/W	A++	1.9 kg	
		309-204-103-xx	LED batten ProX DALI 830 Flood						
		309-204-104-xx	LED batten ProX DALI 830 Double asymmetric						
		309-204-105-xx	LED batten ProX DALI 830 Single asymmetric Left	46 W	5700 Lm	123 Lm/W	A++		
		309-204-106-xx	LED batten ProX DALI 830 Single asymmetric Right						
		309-214-102-xx	LED batten ProX DALI 830 Medium						
	860 mm	309-214-103-xx	LED batten ProX DALI 830 Flood	52 W	6550 Lm	126 Lm/W	A++	1.1 kg	
		309-214-104-xx	LED batten ProX DALI 830 Double asymmetric						
		309-204-112-xx	LED batten ProX DALI 840 Medium	94 W	11950 Lm	128 Lm/W	A++		
		309-204-113-xx	LED batten ProX DALI 840 Flood						
		309-204-114-xx	LED batten ProX DALI 840 Double asymmetric						
		1500 mm	309-204-115-xx	LED batten ProX DALI 840 Single asymmetric Left	46 W	6000 Lm	130 Lm/W		A++
			309-204-116-xx	LED batten ProX DALI 840 Single asymmetric Right					
			309-214-112-xx	LED batten ProX DALI 840 Medium					
309-214-113-xx	LED batten ProX DALI 840 Flood								
309-214-114-xx	LED batten ProX DALI 840 Double asymmetric								

Note!

Add color code to Art no (xx)

- 10 White - 30 Grey
- 20 Black - 00 Anodized

Technical specification

Mains (input) voltage	220-240 V
Frequency	50/60 Hz
Start time	Instant
Optics	PC
Form of protection	IP 20, class I
Lifetime failure	L80 B50 >50.000h L90 B50 40.000h
Ambient temp	-20°C – 35°C
Lifetime ambient temp ¹	25°C
Driver, power factor	≥0,9
Chromaticity tolerance between luminaries	3 McAdam steps
IK code	IK06

¹ Tested ambient temp, lifetime calculations based on this temp.

Batten	MCB	Number of LED batten per circuit	
		10A	16A
LED batten Standard	Type B	15	24
	Type C	24	40
LED batten Pro	Type B	15	24
	Type C	24	40
LED batten ProX	Type B	7	12
	Type C	12	20

