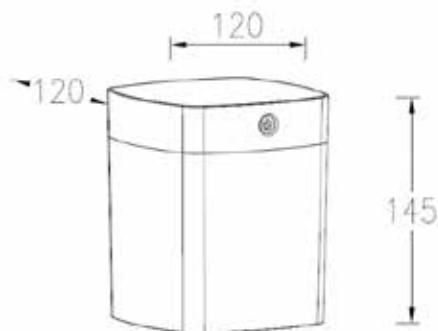


# SOLAR ENERGY

# LUTEC

CONNECTED BY LIGHTING



<b>Model No</b>	<b>203002292</b>
Type	SOLAR – Integrated panel
Bulb type	LED LG5630
Solar Panel	1W monocrystalline silicon
Battery	1*1200mAh 3.7V Li-ion
Power	1 watt
Output	100/40/10 lumen
Colour Temp.	3000 K
Dimension	120*120*145 mm
Material	ABS+PC Opal PC
Finish	White/orange/ green
IP	44
Function	Multi functional portable table Light, Touch switch for 3 levels output/autonomy.